

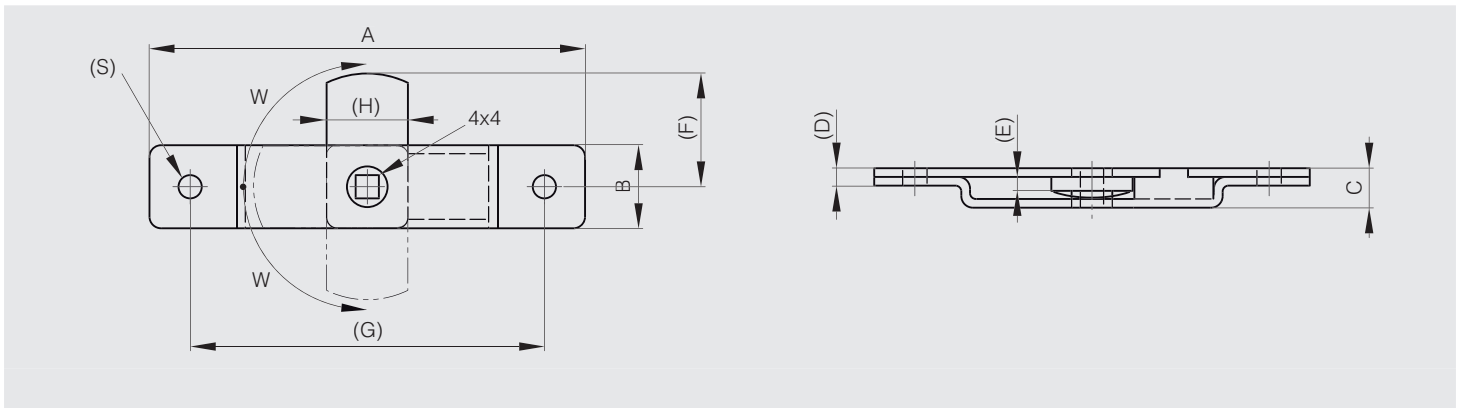


## Budget latches

### Budget latches - square 4x4

STEEL

| Part number | Material | Finish      | A  | B    | C   | D   | E   | F  | G  | H    | S   | W   | Weight (g) |
|-------------|----------|-------------|----|------|-----|-----|-----|----|----|------|-----|-----|------------|
| 16-7-3288   | steel    | zinc plated | 75 | 14.5 | 7   | 3   | 2.5 | 20 | 61 | 14.5 | 3.6 | 90° | 32.5       |
| 16-7-3289   | steel    | zinc plated | 85 | 16.5 | 7.7 | 3.5 | 3   | 23 | 67 | 16   | 3.6 | 90° | 45         |

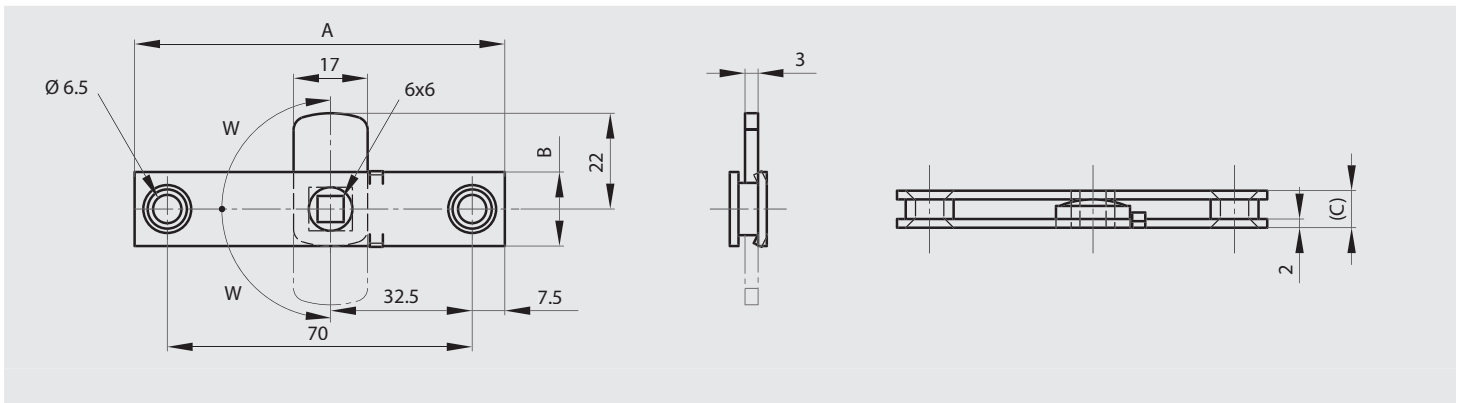


### Budget latch - square 6x6 - stainless steel

Not handed.

STAINLESS STEEL RoHS

| Part number | Material            | Finish | A  | B  | C   | W   | Weight (g) |
|-------------|---------------------|--------|----|----|-----|-----|------------|
| 16-1-3972   | 304 stainless steel | raw    | 85 | 17 | 8.5 | 90° | 56         |





### Spring budget latch

Not handed.



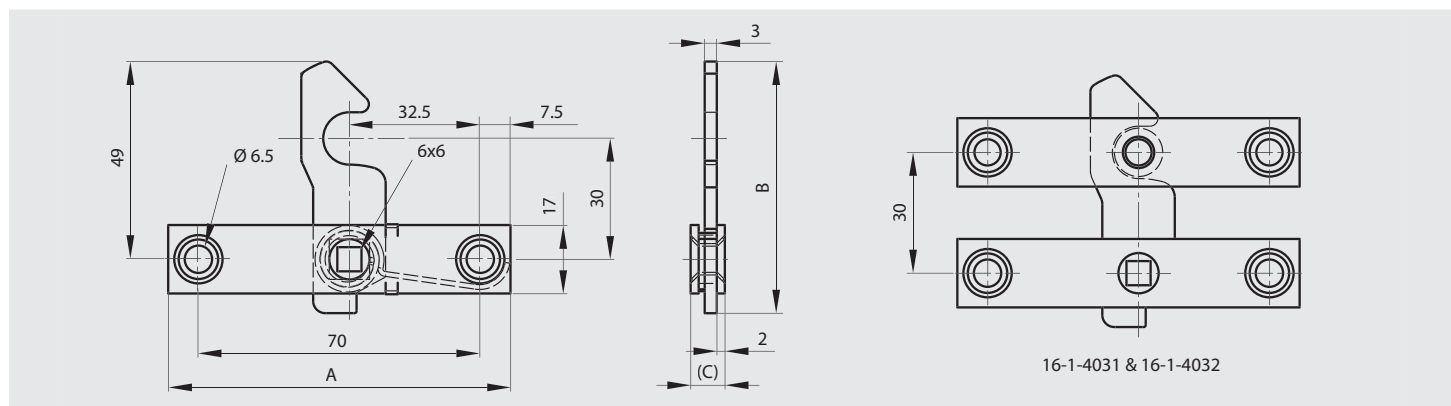
| Part number | Material            | Finish   | A  | B    | C   | Note                     | Weight (g) |
|-------------|---------------------|----------|----|------|-----|--------------------------|------------|
| 16-1-4031   | 304 stainless steel | deburred | 85 | 53.4 | 8.5 | Budget latch (no strike) | 69         |



### Strike for spring budget latch 16-1-4031



| Part number | Material            | Finish   | A  | B  | C   | Note   | Weight (g) |
|-------------|---------------------|----------|----|----|-----|--------|------------|
| 16-1-4032   | 304 stainless steel | deburred | 85 | 17 | 8.5 | strike | 48         |



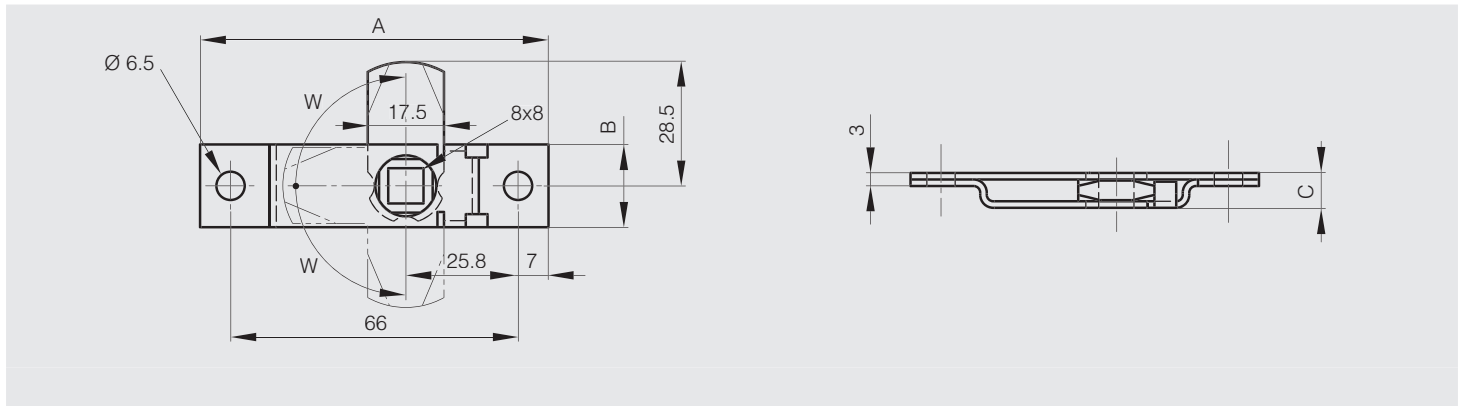


### Budget latches - square 8x8

Not handed. 3 indent positions.

STAINLESS  
STEEL STEEL

| Part number | Material            | Finish      | A  | B  | C | W   | Weight (g) |
|-------------|---------------------|-------------|----|----|---|-----|------------|
| 16-1-4085   | steel               | zinc plated | 80 | 19 | 8 | 90° | 63         |
| 16-1-4086   | 304 stainless steel | raw         | 80 | 19 | 8 | 90° | 63         |

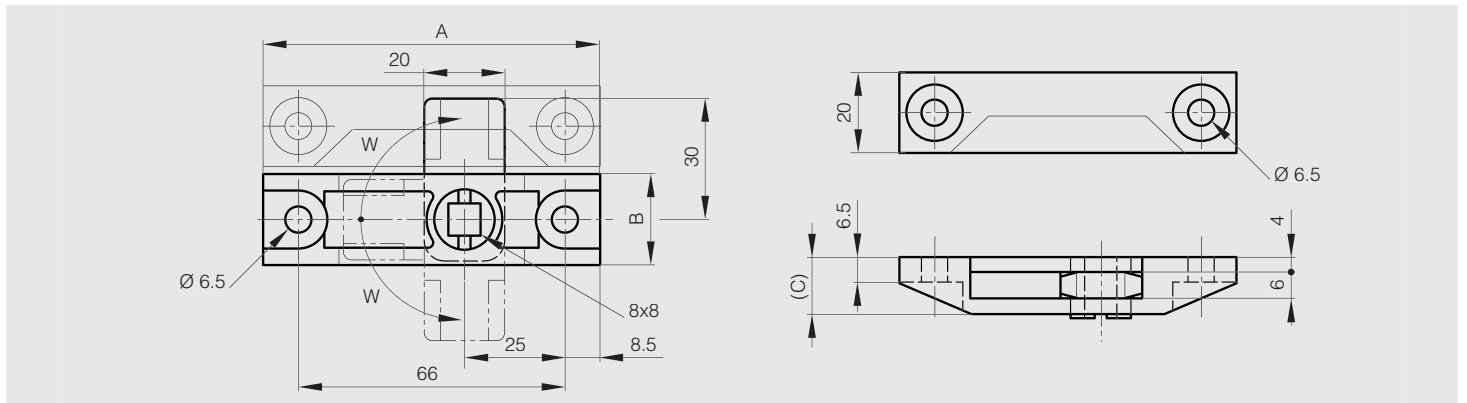


### Plastic budget latch with strike plate

Not handed.

POLYMER RoHS

| Part number | Material     | Finish | A  | B  | C  | W   | Weight (g) |
|-------------|--------------|--------|----|----|----|-----|------------|
| 16-7-4012   | acetal resin | black  | 83 | 22 | 14 | 90° | 32         |





### Common key for budget latches

STEEL

| Part number | Material | Finish      | A  | B    | Weight (g) |
|-------------|----------|-------------|----|------|------------|
| 16-1-4083   | steel    | zinc plated | 93 | 63.5 | 58         |

